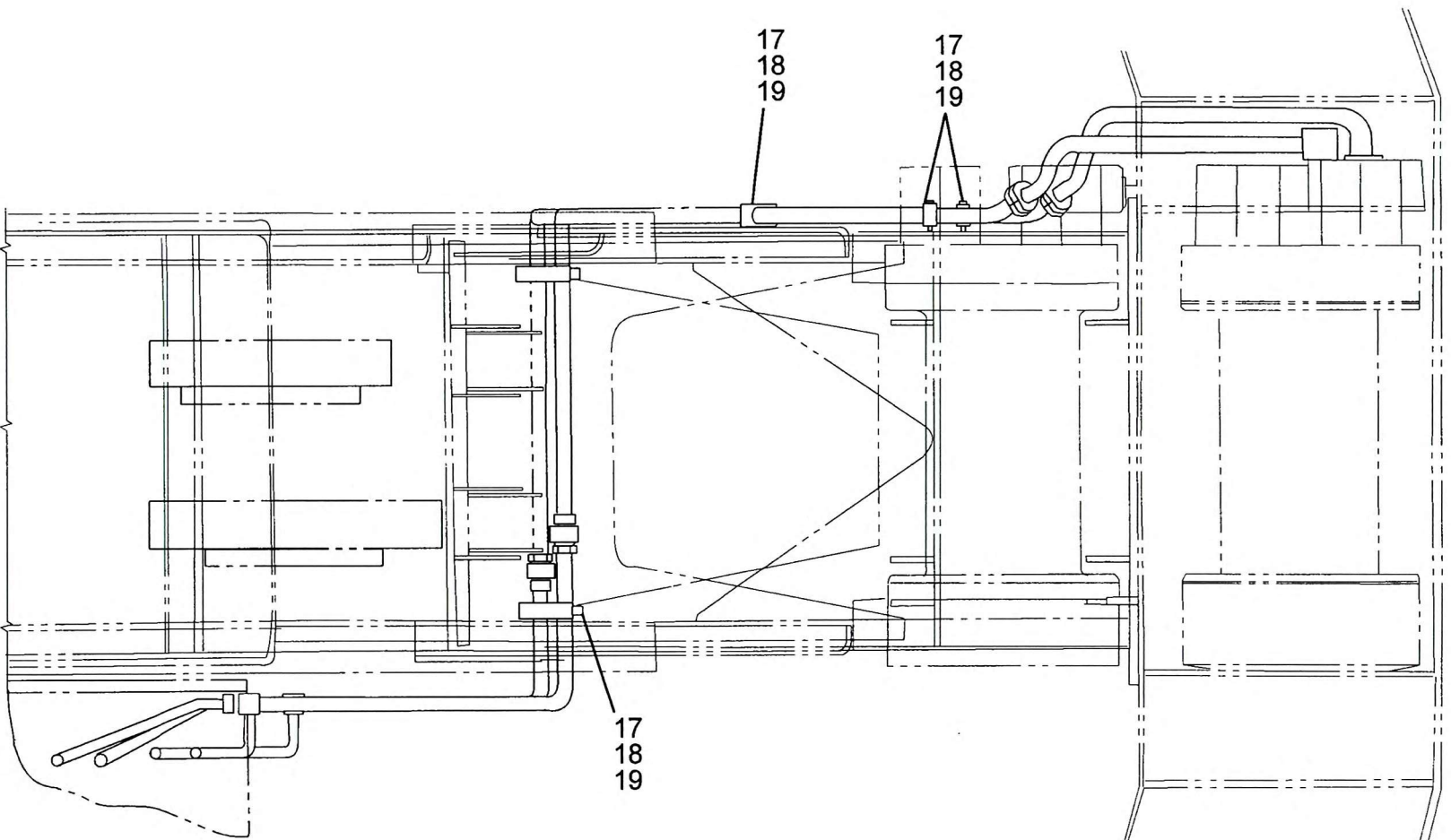


2171600002

(SHEET 3 OF 3)

Page 920

*Manitowoc Crane Group*



2171600002

(SHEET 2 OF 3)

Page 921

